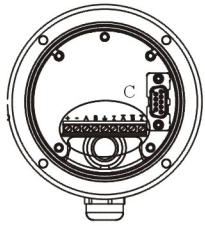
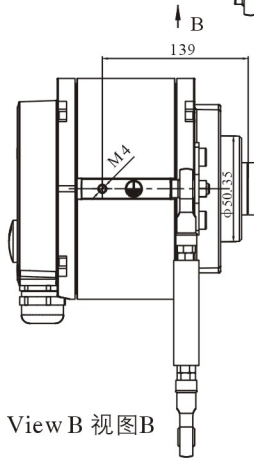
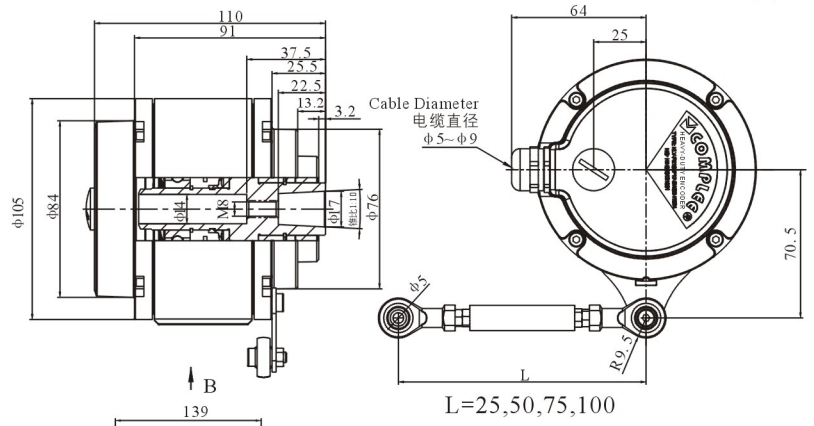


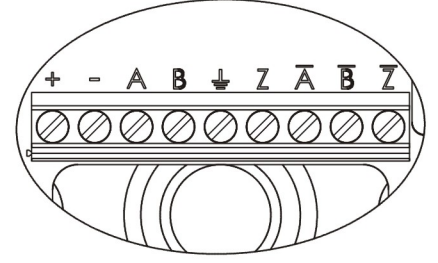
KLY-PE105F17



Rear cover wiring diagram 后盖接线图

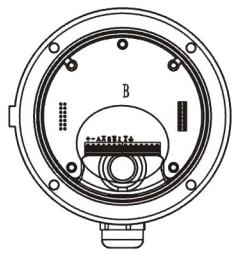


View B 视图B

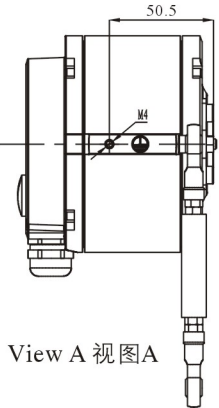
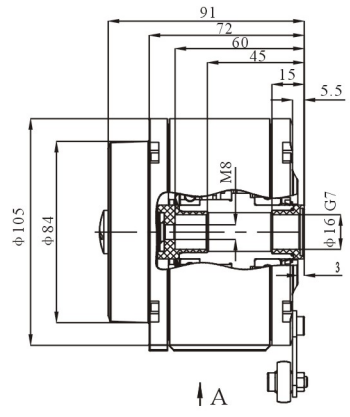


Partial View C 局部视图C

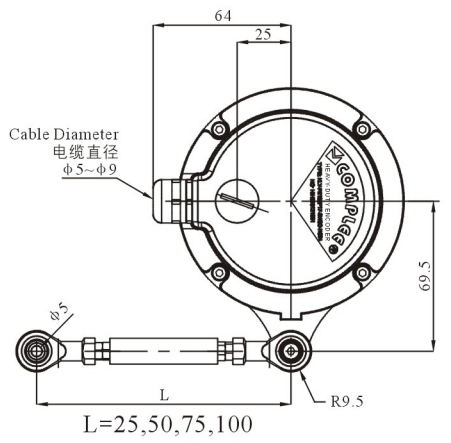
KLY-PE105A16



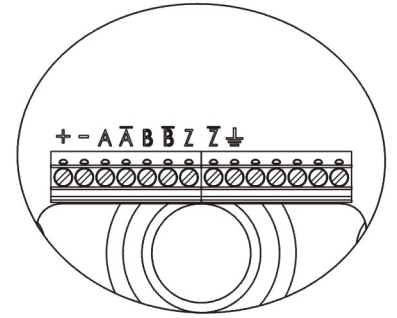
Rear cover wiring diagram 后盖接线图



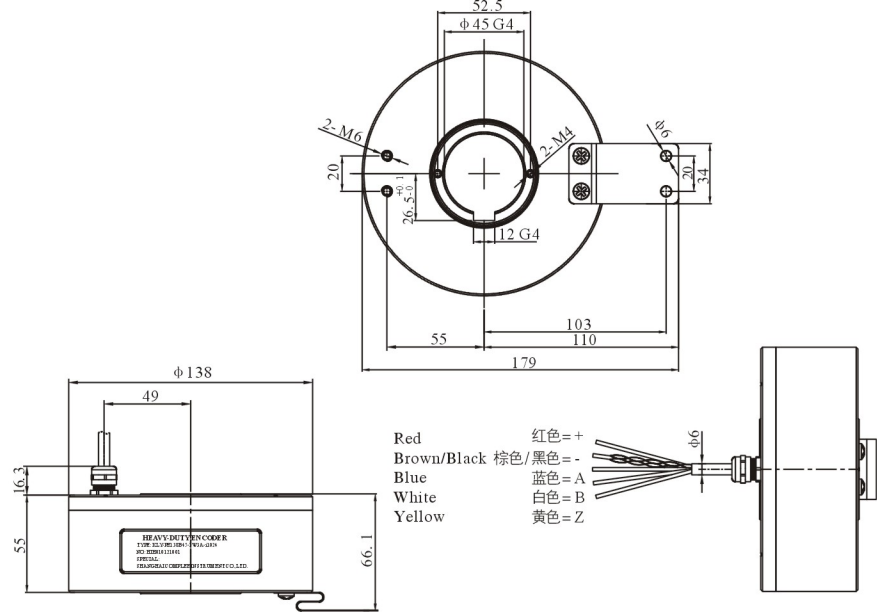
View A 视图A



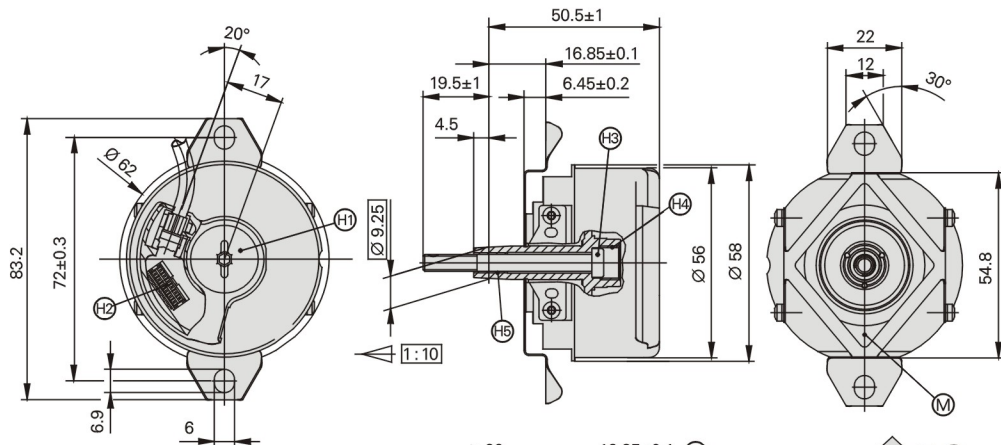
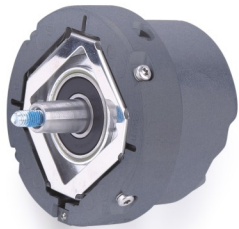
Partial View B 局部视图B



KLY-PE138B45



KLY-PE58G10



- [A] = Matching shaft bearings
- [K] = Required mating dimensions
- [M] = Operating temperature measurement point
- [H1] = Wire plugs, width A / F 3 and 4, tightening torque 5 + 0.5N·m
- [H2] = 12-pin PCB connector
- [H3] = Anti-loose screw M5 * 50 DIN 6912 SW4, tightening torque 5 + 0.5N·m
- [H4] = Bolt for disassembly M10
- [H5] = Bolt for disassembly M6
- [H6] = Maximum permissible tolerances within ± 1.5 mm for motor shaft movement
- [H7] = The maximum permissible static radial offset of the movement of the motor shaft in the specified direction is ± 0.13 mm
- [H8] = The movement direction of the output signal reading head is see the interface description

- [A] = 相配轴轴承
- [K] = 需要的配合尺寸
- [M] = 工作温度测量点
- [H1] = 丝堵, 宽度A/F 3和4, 紧固扭矩5+0.5 Nm
- [H2] = 12针PCB接头
- [H3] = 防松螺丝M5 x 50 DIN 6912 SW4, 紧固扭矩5 + 0.5 Nm
- [H4] = 拆卸用螺栓M10
- [H5] = 拆卸用螺栓M6
- [H6] = 电机轴运动 ± 1.5 mm内的最大允许公差
- [H7] = 电机轴沿指定方向运动的最大允许静态径向偏移量 ± 0.13 mm
- [H8] = 输出信号的读数头运动方向参见接口说明

